



SelecTone® Explosion-Proof Audible Signaling Device

Model 300X

DESIGNED FOR EXPLOSION- PROOF ENVIRONMENTS

- Available in 24VAC/DC and 120/240VAC
- Digital Signal Amplification
- Fused input and output
- Built-in gain control
- Produces 0dBa to 110dBa @ 10' (0dBa to 120dBa @ 1m)
- IP65, NEMA 4X Approved
- UL 1480 and CSFM Approved
- UL and cUL Listed

Federal Signal's Model 300X SelecTone® Speaker Amplifier is designed to meet UL 1480 intelligibility requirements producing crisp, clear tones, digital voice messages and live public address in harsh environments with high ambient noise levels.

The rugged speaker cone and projector are constructed of spun aluminum. The all new internal circuitry, tone module, and gain control are contained in a housing constructed of cast aluminum. All surfaces are sealed with powder-coat paint and assembled with stainless steel hardware. Dust- and moisture-proof gaskets provide protection from the elements. This housing incorporates a tool-less rear cover design, eliminating the need for torque specific hardware and solves the problem of missing or lost fasteners.

The 300X is UL Listed for Class 1, Division 1, Groups B, C & D. Internal gain control allows output adjustment from 0dBa to a maximum of 110dBa at 10 feet.

SelecTone Speaker Amplifiers are used individually or as part of a plant-wide emergency notification system. The Model UTM Universal Tone Module, with 32 tones, or the TM33 Custom Tone Module is plugged into a single SelecTone Speaker Amplifier for stand-alone use or into a SelecTone Command Unit for plant-wide signaling.

For plant-wide signaling, a Connector Kit is required for each SelecTone Speaker Amplifier and wired to a central controller. SelecTone Command Units and CommCenter® Digital Message Centers broadcast tones, voice messages, melodies and live public address to an unlimited number of SelecTone Speaker Amplifiers.

Applications for SelecTone include emergency warning, plant evacuation, start and dismissal, public address, and process control.

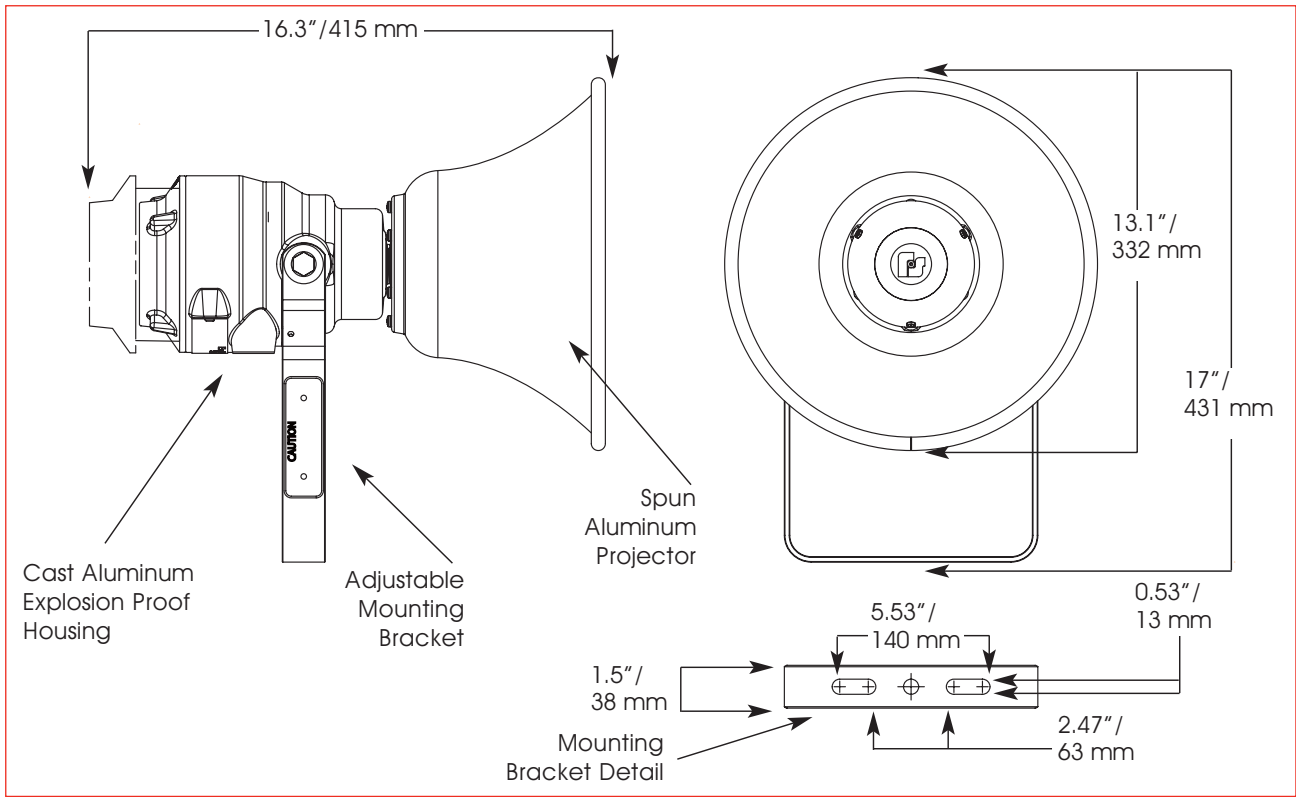
Model	Voltage	Operating ¹ Current	Standby Current	Decibels @		T-Code ²
				10'	1m	
300X	24VDC	1.3 amps	0.31 amps	110	120	T6
300X	24VAC 50/60Hz	1.3 amps	0.31 amps	110	120	T6
300X	120VAC 50/60Hz	0.5 amps	0.08 amps	110	120	T6
300X	240VAC 50/60Hz	0.5 amps	0.04 amps	110	120	T6

¹ Operating current per UL measured maximum

² T-Code in Class 1 Division 1 B, C, D @ 66°C Ambient



EXPLOSION-PROOF AUDIBLE SIGNALING DEVICE (300X)



SPECIFICATIONS

Operating Temperature:	-67°F to 151°F	-55°C to 66°C
Net Weight:		
24VAC	15.4 lbs.	7.0 kg
120/240VAC	16.3 lbs.	7.4 kg
Shipping Weight:		
24VAC	22.8 lbs.	10.4 kg
120/240VAC	23.8 lbs.	10.8 kg
Height:	17.0"	431.0 mm
Width:	13.1"	332.0 mm
Depth:	16.3"	415.0 mm
Ingress Protection:	IP65 and NEMA 4X Approved	

HOW TO ORDER

- Specify model number and voltage
- Specify Tone Module for stand alone operation
 - Universal Tone Module (UTM)
 - Custom Tone Module (TM33)
- Specify Connector Kit for use in systems (Call Factory for system design assistance)
 - 25Vrms Connector Kit (AM25CK)
 - 70Vrms Connector Kit (AM70CK)
- Please refer to Model Number Index 300X beginning on page 378

REPLACEMENT PARTS

Description	Part Number
Amplifier Assembly, 24VAC/DC	K2005355A-03
Amplifier Assembly, 120/240VAC	K2005355A-05
Driver Assembly	K8593097A
Horn Assembly	K8593100A
Cover Assembly	K8593098A
Mounting Bracket Assembly	K8593071A