



# AudioMaster® Hazardous Location Two-way Intercom

Model 310X-MV

## INTERCOM FOR HIGH AMBIENT NOISE ENVIRONMENTS

- Multi-voltage design accepts 24VDC, 120VAC and 240VAC
- Heavy-duty industrial intercom for indoor or outdoor applications
- Balanced line output
- Rated for Class I, Division 2
- Type 4X, IP65 enclosure
- UL and cUL Listed, CSA Certified and Marine Listed

Federal Signal's AudioMaster® 310X-MV is a two-way industrial intercom that provides reliable communications and superior sound quality. This unit has a rugged Type 4X housing and is rated for Class I, Division 2, Groups A, B, C, & D; Class II, Division 2, Groups F & G; and Class III.

The AudioMaster 310X-MV's standard features include volume control, call button, balanced line output, dust- and water-tight housing, listen/talk switch, remote device activation, and the ability to power another intercom at 24VDC.

This heavy duty intercom will operate from -31°F to 150°F (-35°C to 66°C) for both indoor and outdoor applications. Remote device activation allows you to activate an auxiliary signal such as a horn or light. The AudioMaster 310X-MV requires 24VDC, 120VAC or 240VAC to power each unit. The intercom is easy to operate. Press the switch down to talk and release to listen.

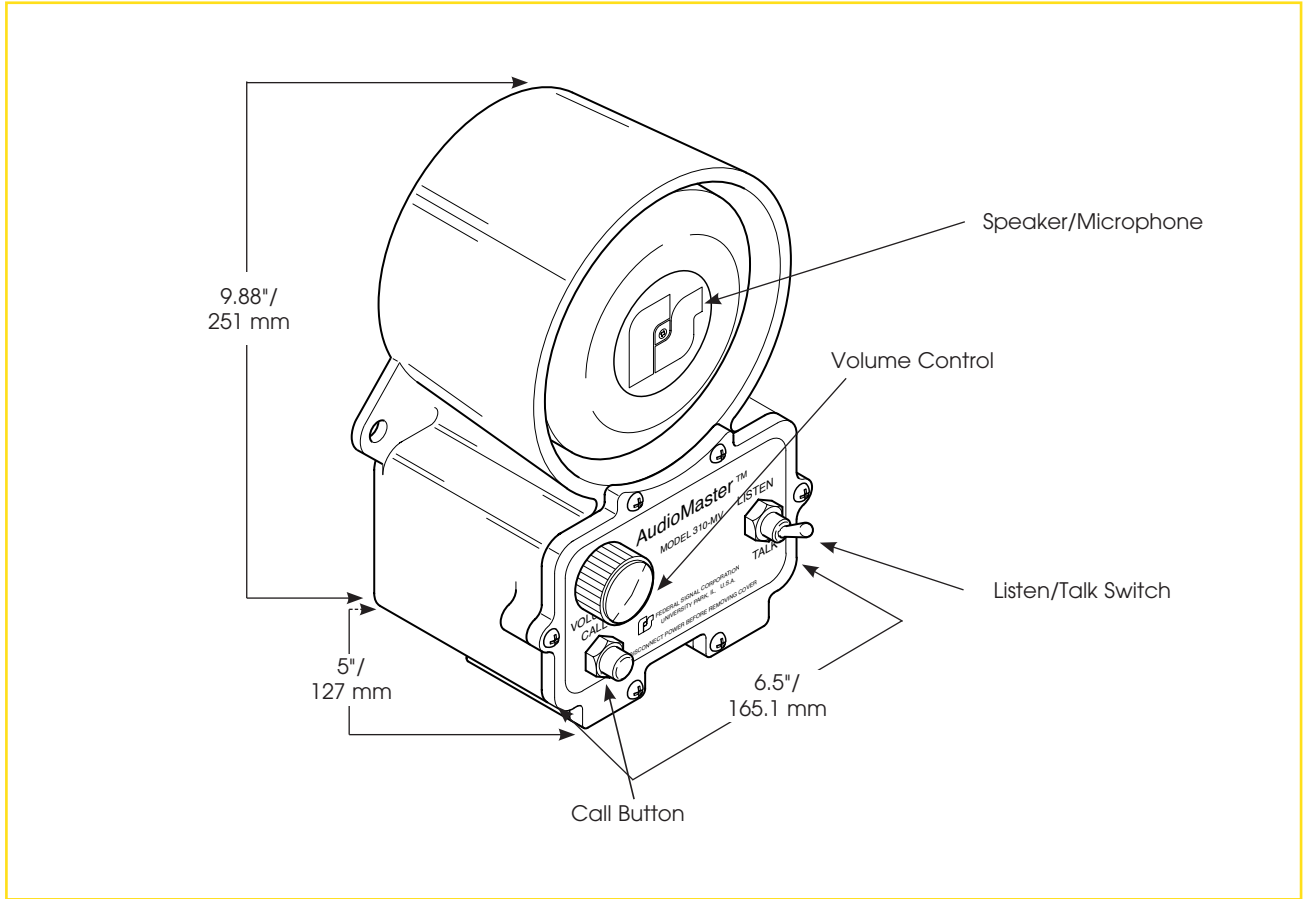
The AudioMaster is UL Listed and CSA Certified.

The 310X-MV is ideal for use at oil refineries, petrochemical plants, offshore platforms, pulp and paper mills, water treatment facilities, airports, shipyards or anywhere reliable two-way communication is important for safe and efficient operation.

Model	Voltage	Operating Current	Standby Current	Frequency Response (-6dB)	Input Impedance
310X-MV	24VDC	260mA	62mA	150Hz-12KHz	3400 ohms
	120VAC 50/60Hz	163mA	70mA	150Hz-12KHz	3400 ohms
	240VAC 50/60Hz	82mA	35mA	150Hz-12KHz	3400 ohms



## TWO-WAY INDUSTRIAL INTERCOM (310X-MV)



### SPECIFICATIONS

Speaker Rating:	30 Watt	30 Watt
Operating Temperature:	-31°F to 150°F	-35°C to 66°C
Net Weight:	10.1 lbs.	4.6 kg
Shipping Weight:	12.0 lbs.	5.4 kg
Height:	9.88"	251.0 mm
Width:	6.5"	165.1 mm
Depth:	5.0"	127.0 mm

### HOW TO ORDER

- Specify model number
- Please refer to Model Number Index 310X-MV beginning on page 376

### REPLACEMENT PARTS

<u>Description</u>	<u>Part Number</u>	<u>Description</u>	<u>Part Number</u>
PC Board Assembly	K2001915B-02	Kit, potentiometer	K8590237A
Connector, 10 Pin	K140A326A-01	Kit, toggle switch	K8590298A
Resistors, 1K, 1W	K101216A	Kit, call button and boot	K8590241A
Fuse 250V, 1/2 Amp	K148A155A	Fuse 250V, 1 Amp	K148A155A-01
Gasket, rubber	K8590013B		