



AudioMaster® Public Address Hazardous Location Speaker

Model AM15XD2

PUBLIC ADDRESS FOR INDUSTRIAL ENVIRONMENTS

- Eight ohm
- 15-watts
- Re-entrant horn design
- Wall mount
- 1/2 - inch conduit openings
- Class 1, Division 2 rated
- Type 4X enclosure
- UL 1480 Approved and cUL Listed

The Federal Signal Model AM15XD2 is an 8 ohm, re-entrant, Type 4X speaker for use in public address or paging applications. The AM15XD2 features a rugged cone and projector constructed of spun aluminum. The speaker wiring connections are enclosed in a dust- and moisture-proof, die-cast aluminum housing. All external surfaces are sealed with a gray powder coat paint.

The AM15XD2 is rated for 15-watts and is UL Listed for Class 1, Division 2, Groups A,B,C, and D; Class II, Division 2, Groups F & G; and Class III environments. The design and seal of the speaker assembly and housing have been tested and approved by UL for Type 4X requirements.

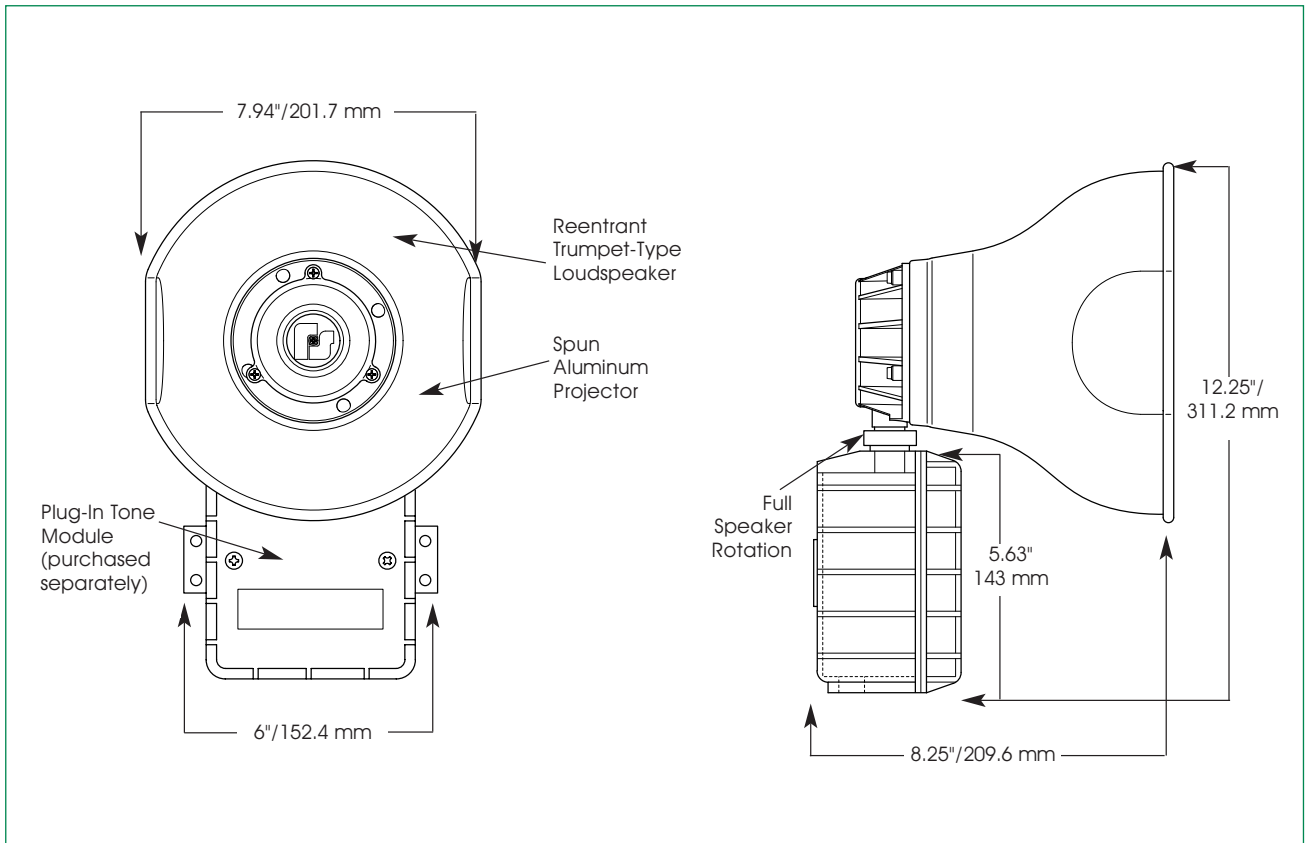
Four screws inserted through the metal tabs located at the sides of the housing provide a quick wall mount installation. Two 1/2-inch conduit openings in the base of the housing simplify wiring and accommodate inbound and outbound audio wiring. The unique shape of the speaker projector provides a 60° sound dispersion. The projector is held in position with a Teflon coated lock ring that can be rotated 180° in order to obtain the desired sound distribution.

The AM15XD2 can be used with the AudioMaster® CTS series amplifiers and the AudioRouter™ to complete an industrial-grade public address system. The AM15XD2 is also compatible with the Federal Signal SelectFone intercom system.

Model	Power Handling	Frequency Response	Impedance	Beam Width	Decibels @	
					10'	1m
AM15XD2	15-watt	400-4000Hz	8 ohm	60°	110	120



PUBLIC ADDRESS SPEAKER (AM15XD2)



SPECIFICATIONS

Operating Temperature:	-40°F to 151°F	-40°C to 66°C
Net Weight:	4.85 lbs.	2.2 kg
Shipping Weight:	6.0 lbs.	2.72 kg
Height:	12.25"	311.2 mm
Width:	7.94"	201.7 mm
Depth:	8.25"	209.6 mm

HOW TO ORDER

- Specify model number
- Please refer to Model Number Index AM15XD2 beginning on page 380