



ES SERIES POWERED LOUDSPEAKER

Hazardous Area Powered Loudspeakers

FOR USE IN HAZARDOUS AREAS

- **8 Watt, 104dB output**
- **15 Watt, 107dB output**
- **25 Watt, 112dB output**
- **Stainless steel mounting bracket**
- **Interfaces with a wide range of systems**
- **Dual cable entries**
- **Integrated DC and AC voltages**
- **Short horn version (8W)**
- **Internally mounted amplifier**
- **Compatible with ECHO intercom stations**
- **Watertight to IP66/IP67**
- **Internal volume adjustment**
- **Approved for Zone 1 IIB and IIC**

The ES Series of powered loudspeakers are rugged, re-entrant loudspeakers for use in Zone 1 hazardous areas. These speakers feature rugged cones and projectors constructed of aluminum. The wiring connections are enclosed in a dust- and moisture-proof compartment. All external surfaces are finished with a red powder coat paint.




Multiple models of the ES Series speakers are available. The 8 Watt, short horn produces 104dB, the 15 Watt standard horn produces 107dB and the 25 watt standard horn produces 112dB. The 8W and 15W include gain adjustments to match either 0.8V, 1.5V, 2.7V or 8.0V input signals. ES Series loudspeakers are factory set at 240VAC and installed in the field to operate on 24VDC, 110/120VAC or 220/240VAC. Each unit features integrated 24VDC input voltage.

Mounting is simple with the stainless steel bracket that resists deterioration. Each loudspeaker features dual entry as standard. All models meet ATEX and CE standards.

With a robust and corrosion resistant body, the ES Series of powered loudspeakers are highly recommended for indoor and outdoor use in hazardous locations such as oil, gas and petrochemical facilities and arduous industrial environments.



SPECIFICATIONS

Operating Voltages:	24VDC, 110/120VAC, 220/240VAC
Factory Default Setting:	240VAC
Type:	8/15 Watt dual entry, 25 Watt dual entry
Colour:	Signal red 537 to BS381C (epoxy powder coated, semi-gloss)
Material:	Aluminum Alloy LM6 (marine grade)
Mounting:	Stainless steel bracket (not painted)
Output:	
8W Short Horn	104dBA @ 1m (1kHz)
15W	107dBA @ 1m (1kHz)
25W Series	112dBA @ 1m (1kHz)
Cable Entries (bottom):	2 x M20
Operating Temperature Range:	-20°C to +40°C (T6) -20°C to +55°C (T5) -20°C to +70°C (T4)
Termination:	1.5mm ² conductors
Net Weight:	
8W	3.0kg (6.6 lbs)
15W	3.2kg (7.1 lbs)
25W	6.4kg (14.1 lbs)
Shipping Dimensions:	25 x 23 x 28cm (8W/15W) 32 x 30 x 37cm (25W)
Certificate Number (8/15w):	
Baseefa03ATEX0688X,  II 2 G EExd IIB T4...T6	
Baseefa03ATEX0689X,  II 2 G EExd IIC T4...T6	
Ingress Protection (8/15w):	IP67
Certificate Number (25w):	
Nemko 05ATEX1036,  II 2 G EExd IIB T4...T6	
Ingress Protection (25w):	IP66 and IP67
To Standards:	EN 50014:1997+A1:1999+A2:1999, EN 50018:2000+A1, EN 50019:2000

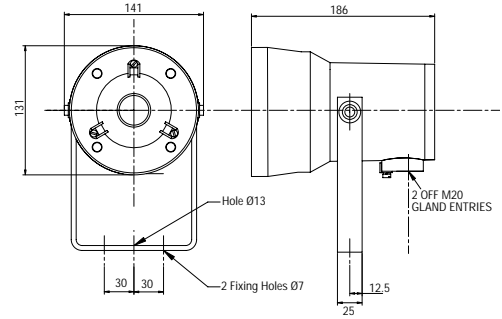
MODELS AVAILABLE

ES111474	8 Watt, EExdIIB, short horn, 24VDC, 110/120VAC, 220/240VAC
ES111424	8 Watt, EExdIIC, short horn, 24VDC, 110/120VAC, 220/240VAC
ES111274	15 Watt, EExdIIB, standard horn, 24VDC, 110/120VAC, 220/240VAC
ES111224	15 Watt, EExdIIC, standard horn, 24VDC, 110/120VAC, 220/240VAC
ES512073EB	25 Watt, EExdIIB, standard horn, 24VDC
ES512073EL	25 Watt, EExdIIB, standard horn, 110/120VAC
ES512073EM	25 Watt, EExdIIB, standard horn, 220/240VAC

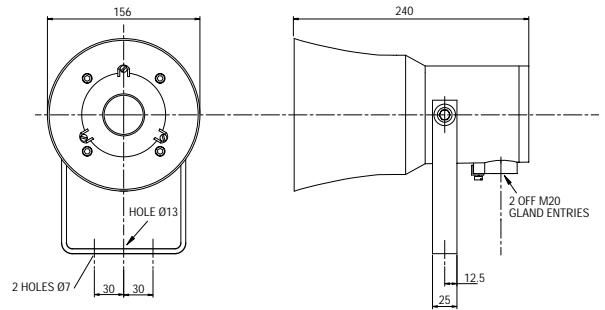
NOTES: - Audio input user selectable on 8W and 15W models: 0.8V, general use; 2.7V, ECHO System; 1.5V or 8V
- 25W model factory set for 2.7V for ECHO System. Other voltages may be set by user.

WARNING: All units are not certified for use in flammable atmospheres containing: carbon disulphide or ethyl nitrate.

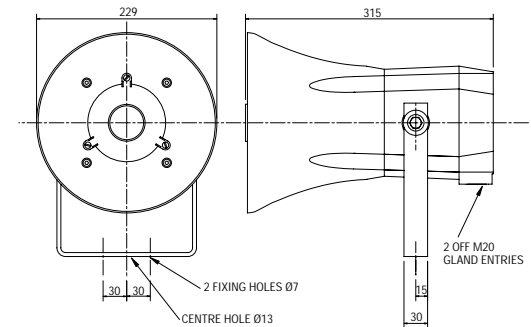
8 WATT SHORT HORN



15 WATT STANDARD HORN



25 WATT STANDARD HORN



Note: All dimensions are in millimeters.

LOUDSPEAKER POWER REQUIREMENTS

	Supply Voltage	Quiescent Current	Max Current
ES1	240V AC	50mA	90mA
	110V AC	50mA	125mA
	24V DC	100mA	500mA
ES5	240V AC	50mA	210mA
	110V AC	50mA	400mA
	24V DC	100mA	1200mA

Note: the current consumption varies with the power supply voltage and the audio volume and frequency.