



ES SERIES SOUNDERS

Hazardous Area Sounders

FOR USE IN HAZARDOUS AREAS

- 8 Watt, 104dB output
- 15 Watt, 107dB output
- 25 Watt, 116dB output
- On-board choice of 15 tones
- Remote tone selection
- Dual cable entries
- Integrated DC and AC voltages
- Short horn version (8W)
- Approved for Zone 1 IIB and IIC
- Watertight to IP66/IP67

With a robust and corrosion resistant body, the ES Series of Sounders are highly recommended for indoor and outdoor use in hazardous locations.

Remote selection of standard tones is achieved on a multi-terminal block. All Sounders include a standard selectable 15 tones plus 24VDC, 110VAC and 240VAC input voltages.

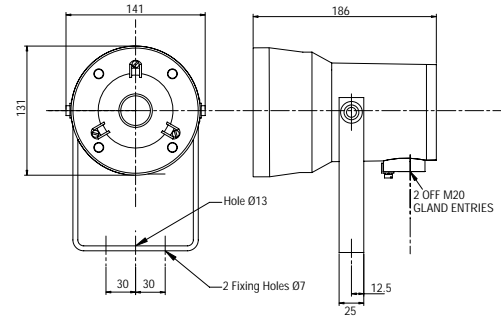
TONE		DESCRIPTION
STANDARD ON-BOARD SELECTABLE TONES	1	Two tone 588Hz for 0.25s and 714hz for 0.25s
	2	Swept 600Hz to 700Hz in 0.5s
	3	Warble Telephone warble
	4	Constant 700Hz
	5	Simulated bell Approx. 3 rings per second
	6	Swept twice 1.2kHz to 1.6kHz and 1.6kHz to 1.2Khz, 6 cycles per second
	7	Two tone 1kHz for 0.4s and 700Hz for 0.4s
	8	Constant + Silence 700Hz for 0.25s, silence for 0.25s
	9	Swept twice 400Hz to 1.6kHz in 1s, constant 1.2kHz for 2s, 1.2kHz to 400Hz in 1s, silence for 0.25s
	10	Swept 500Hz to 770Hz in 0.5s
	11	Constant + Silence 1kHz for 1s, silence for 1s (PFEER compliant)
	12	Constant 1kHz (PFEER compliant)
	13	Two tone 700Hz for 0.5s, 500Hz for 0.5s
	14	Warble between 1kHz and 1.4kHz, approx 10 cycles per second
	15	Swept 1.2kHz to 400Hz in 1s (PFEER compliant)



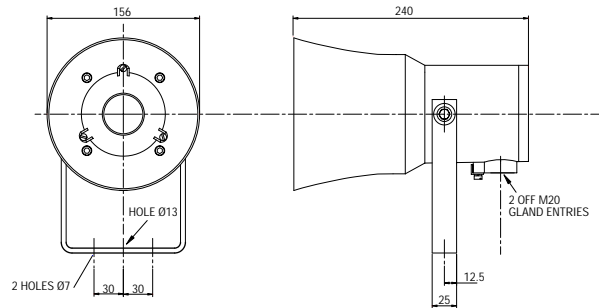
SPECIFICATIONS

Operating Voltages:	24VDC, 110/120VAC, 220/240VAC
Factory Default Setting:	240VAC
Type:	8/15 Watt dual entry, 25 Watt dual entry
Material:	Aluminum Alloy LM6 (marine grade)
Colour:	Signal red 537 to BS381C (epoxy powder coated semi-gloss)
Mounting:	Stainless steel bracket (not painted)
Output:	
8W Short Horn Series IIB	104dBA @ 1m (1kHz)
8W Short Horn Series IIC	100dBA @ 1m (1kHz)
15W Series IIB	107dBA @ 1m (1kHz)
15W Series IIC	103dBA @ 1m (1kHz)
25W Series	116dBA @ 1m (1kHz)
Cable Entries (bottom):	2 x M20 (Supplied with 1 x EEx stopping plug)
Operating Temperature Range:	-20°C to +40°C (T6) -20°C to +55°C (T5) -20°C to +70°C (T4)
Termination:	For 1.5mm ² conductors
Net Weight:	
8W	3.0kg (6.6 lbs)
15W	3.2kg (7.1 lbs)
25W	6.4kg (14.1 lbs)
Shipping Dimensions:	25 x 23 x x28cm (8w/15w) 32 x 30 x 37cm (25w)
Certificate Number (8/15w):	Baseefa03ATEX0688X, II 2 G EExd IIB T4...T6 Baseefa03ATEX0689X, II 2 G EExd IIC T4...T6
Ingress Protection (8/15w):	IP67
Certificate Number (25w):	Nemko 05ATEX1036, II 2 G EExd IIB T4...T6
Ingress Protection (25w):	IP66 and IP67

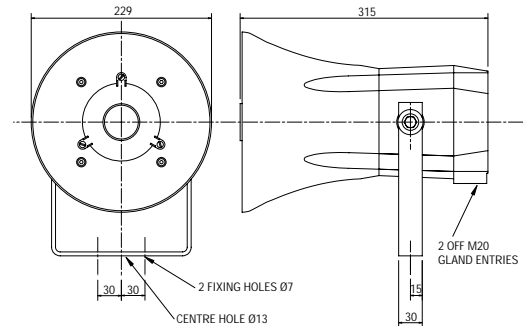
8 WATT SHORT HORN



15 WATT STANDARD HORN



25 WATT STANDARD HORN



Note: All dimensions are in millimeters.

MODELS AVAILABLE

ES11147MT	8 watt, EExdIIB, short horn
ES11142MT	8 watt, EExdIIC, short horn
ES11127MT	15 watt, EExdIIB, standard horn
ES11122MT	15 watt, EExdIIC, standard horn
ES41207MT	25 watt, EExdIIB, standard horn

Remote tone selection achieved by applying +24V DC to combination of terminals T1, T2, T3, T4 in binary code format.

E.G. T1+T3 = Tone 5, T1+T2+T4 = Tone 11.

Note: for AC versions the +24V is wired back from the sounder through the control unit.

SOUNDER POWER REQUIREMENTS

Supplied Voltage	Quiescent Current	Max Current
240V AC	50mA	125mA
110V AC	50mA	210mA
24V DC	10mA	950mA

Note: the current consumption varies with the power supply voltage and the audio volume and frequency.

WARNING: All units are not certified for use in flammable atmospheres containing: carbon disulphide or ethyl nitrate.