

## Corrosion Resistant Zone 1 Loudspeaker

Model P-LS2B and P-LS2C



*Shown with optional mounting bracket*

### FOR USE IN MARINE AND HAZARDOUS APPLICATIONS

- **Corrosion-resistant Anti-Static GRP (Glass-Reinforced Polyester) Design**
- **Universal Mounting Bracket**
- **Stainless-Steel Hardware**
- **CE Compliant**
- **ATEX/IEC Zone 1 Gas Groups IIB and IIC**
- **Ingress Protection Rating IP66**

Federal Signal's corrosion resistant loudspeakers, model P-LS2B and P-LS2C, are designed for use in industrial public address and general alarm applications, where corrosion resistance and ATEX/IEC Certification are required. P-LS2B and P-LS2C loudspeakers are available in an ATEX/IEC Zone 1 explosion-proof version certified IP66 for ingress of dust and combustible gas to either Group IIB or Group IIC.

P-LS2B and P-LS2C loudspeakers, designed to accept an audio input of 100 Vrms, are manufactured from corrosion-resistant, anti-static glass-reinforced polyester (GRP). Each speaker is transformer coupled with a maximum power output of 25 watts and is supplied with 10 preset taps (25, 20, 15, 10, 5, 2, 1.5, 1, 0.5 and 0.2 watts) to adjust sound output.

Mounting is provided by a "common template" stainless-steel ratcheted mounting bracket that locks the sounder in position at a specific angle without slipping. The bottom surface of the optional mounting bracket also contains four slotted mounting holes to further adjust speaker position and adapt to a variety of different surfaces.

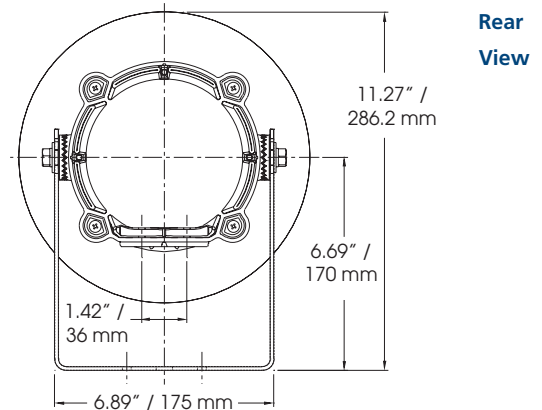
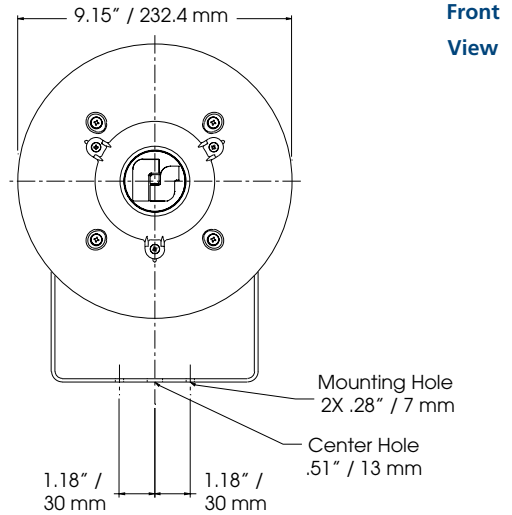
Connection for field wiring is provided by two M20 X 1.5 mm threaded openings in the bottom of the rear cover and terminated via internal terminal blocks. All external hardware is manufactured from stainless steel to resist corrosion and provide serviceability for years to come.

## ATEX IEC CE



## SPECIFICATIONS

Certificate Number:	Baseefa10ATEX0096X	
ATEX	IECEX BAS 10.0052X	
IECEX		
<b>P-LS2B</b>	CE <sub>0539</sub> II 2G	
	Ex d e mb IIB + H2 T5 Gb (-50°C ≤ Ta +70°C)	
	T6 Gb (-50°C ≤ Ta +55°C)	
<b>P-LS2C</b>	CE <sub>0539</sub> II 2GD	
	Ex d e mb IIC T5 Gb Ex tb IIIC IP66 T100°C Db (-50°C ≤ Ta +70°C)	
	T6 Gb Ex tb IIIC IP66 T85°C Db (-50°C ≤ Ta +55°C)	
Gland Entries:	2 X M20 X 1.5 mm	
Cable Terminations:	0.5 – 4 mm <sup>2</sup> (12-22 AWG) Conductors	
Size (P-LS2B & P-LS2C):	232.4 mm (9.15") Diameter	
	286.2 mm (11.27") Height	
	318.8 mm (12.55") Length	
Material:	Glass-Reinforced Polyester (GRP)	
Color:	Black	
Audio Input:	100 Vrms	
Audio Output (Peak):	124dB @ 25 watts (1 meter) 1.35kHz, 119dB @ 1kHz	
Frequency Response:	350 – 14kHz	
Net Weight: (P-LS2B & P-LS2C):	5.9 kg	13.0 lbs
Shipping Weight: (P-LS2B & P-LS2C):	6.9 kg	15.3 lbs



## ORDERING INFORMATION

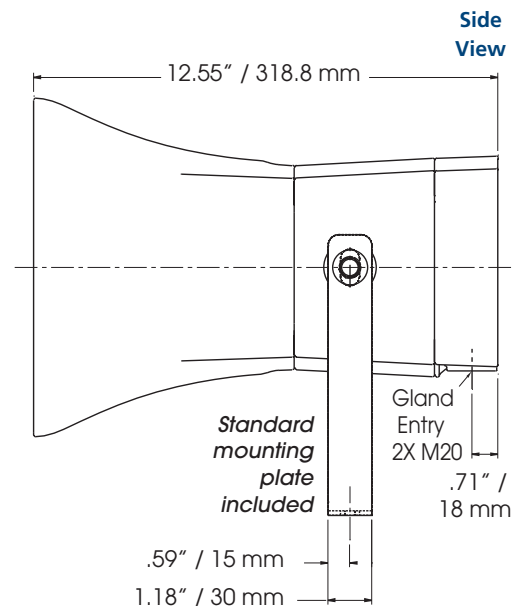
<b>P-LS2B</b>	Corrosion Resistant Hazardous Location Loudspeaker, ATEX Zone 1 Rated Gas Group IIB
<b>P-LS2C</b>	Corrosion Resistant Hazardous Location Loudspeaker, ATEX Zone 1 Rated Gas Group IIC

## OPTIONAL ACCESSORIES

Swivel Mounting Bracket	K8595172A
-------------------------	-----------

## REPLACEMENT PARTS

Standard Mounting Bracket	K8595171
Swivel Mounting Bracket	K8595172A
Ratchet Fixing Kit	K8595194
Bracket Mounting Screws	K7002086-16
Outer Horn	K8595150
Rear Cover	K8595153
Rear Cover Gasket Kit	K8595195
Fuse Module	K8595177



**UK - Federal Signal Corporation, Integrated Systems**  
Hulley Road, Macclesfield, Cheshire SK10 2NF, UK  
**tel:** +44 (0)1625 66 66 00 **fax:** +44 (0) 1625 611 352  
**web:** www.fs-isys.com **email:** systems@fedsig.co.uk

**USA - Federal Signal Corporation, Integrated Systems**  
2645 Federal Signal Drive, University Park, IL 60484, USA  
**tel:** +1 708-534-4723 **fax:** +1 708-534-4887  
**web:** www.fs-isys.com **email:** systems@fedsig.com