



FOR USE IN MARINE AND INDUSTRIAL APPLICATIONS

- **8 Watt, 106dB output**
- **15 Watt, 109dB output**
- **25 Watt, 114dB output**
- **Stainless steel mounting bracket**
- **Interfaces with a wide range of systems**
- **Dual cable entries**
- **Integrated DC and AC voltages**
- **Short horn version (8W)**
- **Internally mounted amplifier**
- **Compatible with ECHO intercom stations**
- **Watertight to IP66/IP67**
- **Internal volume adjustment**

MS SERIES POWERED LOUDSPEAKER

Marine/Industrial Powered Loudspeakers

The MS Series of powered loudspeakers are rugged, re-entrant loudspeakers for use in marine and industrial applications. These speakers feature rugged cones and projectors constructed of aluminum. The wiring connections are enclosed in a dust- and moisture-proof compartment. All external surfaces are finished with a grey powder coat paint.

Multiple models of the MS Series speakers are available. The 8 Watt, short horn produces 106dB, the 15 Watt standard horn produces 109dB and the 25 watt standard horn produces 114dB. The 8W and 15W include gain adjustments to match either 0.8V, 1.5V, 2.7V or 8.0V input signals. ES Series loudspeakers are factory set at 240VAC and installed in the field to operate on 24VDC, 110/120VAC or 220/240VAC. Each unit features integrated 24VDC input voltage.

Mounting is simple with the stainless steel bracket that resists deterioration. Each loudspeaker features dual entry as standard. All models meet CE standards.

With a robust and corrosion resistant body, the MS Series of powered loudspeakers are highly recommended for indoor and outdoor use in general alarm systems, industrial facilities and on ships.



SPECIFICATIONS

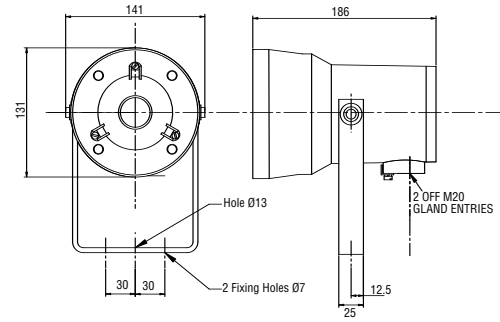
Operating Voltages:	24VDC, 110/120VAC, 220/240VAC
Factory Default Setting:	240VAC
Type:	8/15 Watt dual entry, 25 Watt dual entry
Material:	Aluminum Alloy LM6 (marine grade)
Colour:	Grey to RAL7035 (epoxy powder coated, semi-gloss)
Mounting:	Stainless steel bracket (not painted)
Output:	
8W Short Horn	106dBA @ 1m (1kHz)
15W	109dBA @ 1m (1kHz)
25W Series	114dBA @ 1m (1kHz)
Cable Entries (bottom):	2 x M20
Operating Temperature Range:	-20°C to +70°C
Termination:	For 1.5mm ² conductors
Net Weight:	
8W	3.0kg (6.6 lbs)
15W	3.2kg (7.1 lbs)
25W	6.4kg (14.1 lbs)
Shipping Dimensions:	25 x 23 x x28cm (8W/15W) 32 x 30 x 37cm (25W)
Ingress Protection (8/15W):	IP67
Ingress Protection (25W):	IP66 and IP67

MODELS AVAILABLE

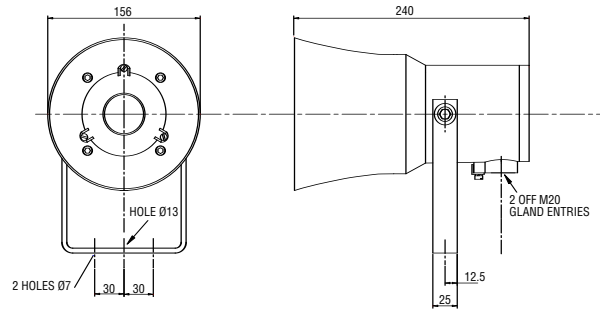
MS1-114-14	8 Watt, weatherproof, short horn, 24VDC, 110/120VAC, 220/240VAC
MS1-112-14	15 Watt, weatherproof, standard horn, 24VDC, 110/120VAC, 220/240VAC
MS5-120-13EB	25 Watt, weatherproof, standard horn, 24VDC
MS5-120-13EL	25 Watt, weatherproof, standard horn, 110/120VAC
MS5-120-13EM	25 Watt, weatherproof, standard horn, 220/240VAC

NOTES: - Audio input user selectable on 8W and 15W models: 0.8V, general use; 2.7V, ECHO System; 1.5V or 8V other systems.
- 25W model factory set for 2.7V for ECHO System. Other voltages may be set by user workshop.

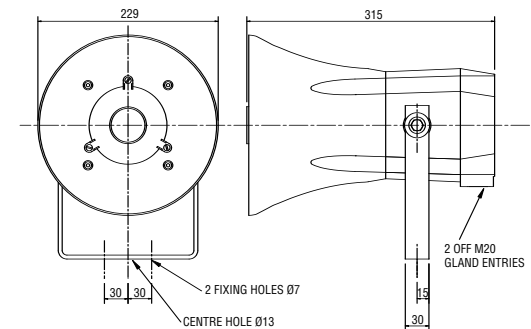
8 WATT SHORT HORN



15 WATT STANDARD HORN



25 WATT STANDARD HORN



Note: All dimensions are in millimeters.

LOUDSPEAKER POWER REQUIREMENTS

	Supply Voltage	Quiescent Current	Max Current
MS1	240V AC	50mA	90mA
	110V AC	50mA	125mA
	24V DC	100mA	500mA
MS5	240V AC	50mA	210mA
	110V AC	50mA	400mA
	24V DC	100mA	1200mA

Note: the current consumption varies with the power supply voltage and the audio volume and frequency.

UK - Federal Signal Corporation, Integrated Systems
Hulley Road, Macclesfield, Cheshire SK10 2NF, UK
tel: +44 (0)1625 66 66 00 **fax:** +44 (0) 1625 611 352
web: www.fs-isys.com **email:** systems@fedsig.co.uk

USA - Federal Signal Corporation, Integrated Systems
2645 Federal Signal Drive, University Park, IL 60466, USA
tel: +1 708-534-4723 **fax:** +1 708-534-4887
web: www.fs-isys.com **email:** systems@fedsig.com