



## MS SERIES SOUNDERS

### Marine/Industrial Sounders

### FOR USE IN MARINE AND INDUSTRIAL APPLICATIONS

- 8 Watt, 114dB output
- 15 Watt, 117dB output
- 25 Watt, 123dB output
- On-board choice of 15 tones
- Remote tone selection
- Dual cable entries
- Integrated DC and AC voltages
- Short horn version (8W)
- Watertight to IP66/IP67

With a robust and corrosion resistant body, the MS Series of Sounders are highly recommended for indoor and outdoor use in safe areas.

Remote selection of standard tones is achieved on a multi-terminal block. All Sounders include a standard selectable 15 tones plus 24VDC, 110VAC and 240VAC input voltages.

TONE		DESCRIPTION
STANDARD ON-BOARD SELECTABLE TONES	1	Two tone 588Hz for 0.25s and 714Hz for 0.25s
	2	Swept 600Hz to 700Hz in 0.5s
	3	Warble Telephone warble
	4	Constant 700Hz
	5	Simulated bell Approx. 3 rings per second
	6	Swept twice 1.2kHz to 1.6kHz and 1.6kHz to 1.2Khz, 6 cycles per second
	7	Two tone 1kHz for 0.4s and 700Hz for 0.4s
	8	Constant + Silence 700Hz for 0.25s, silence for 0.25s
	9	Swept twice 400Hz to 1.6kHz in 1s, constant 1.2kHz for 2s, 1.2kHz to 400Hz in 1s, silence for 0.25s
	10	Swept 500Hz to 770Hz in 0.5s
	11	Constant + Silence 1kHz for 1s, silence for 1s (PFEER compliant)
	12	Constant 1kHz (PFEER compliant)
	13	Two tone 700Hz for 0.5s, 500Hz for 0.5s
	14	Warble between 1kHz and 1.4kHz, approx 10 cycles per second
	15	Swept 1.2kHz to 400Hz in 1s (PFEER compliant)



## SPECIFICATIONS

Operating Voltages:	24VDC, 110/120VAC, 220/240VAC
Factory Default Setting:	240VAC
Type:	8/15 Watt dual entry, 25 Watt dual entry
Material:	Aluminum Alloy LM6 (marine grade)
Colour:	Grey to RAL7035 (epoxy powder coated, semi-gloss)
Mounting:	Stainless steel bracket (not painted)
Output:	
8W Short Horn	114dBA @ 1m (1kHz)
15W	117dBA @ 1m (1kHz)
25W	123dBA @ 1m (1kHz)
Cable Entries (bottom):	2 x M20
Operating Temperature Range:	-20°C to +70°C (T6)
Termination:	For 1.5mm <sup>2</sup> conductors
Net Weight:	
8W	3.0kg (6.6 lbs)
15W	3.2kg (7.1 lbs)
25W	6.4kg (14.1 lbs)
Shipping Dimensions:	
8W/15W	25 x 23 x 28cm
25W	32 x 30 x 37cm
Ingress Protection (8/15W):	IP67
Ingress Protection (25W):	IP66 and IP67

## MODELS AVAILABLE

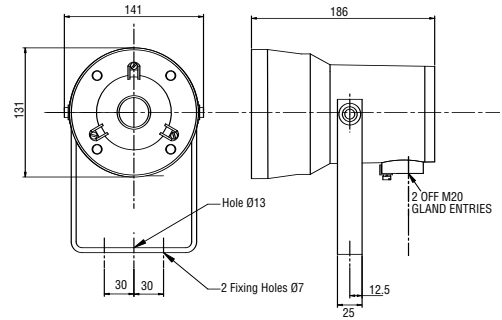
<b>MS11141MT</b>	8 watt, weatherproof, short horn
<b>MS11121MT</b>	15 watt, weatherproof, standard horn
<b>MS41201MT</b>	25 watt, weatherproof, standard horn

Remote tone selection achieved by applying +24V DC to combination of terminals T1, T2, T3, T4 in binary code format.

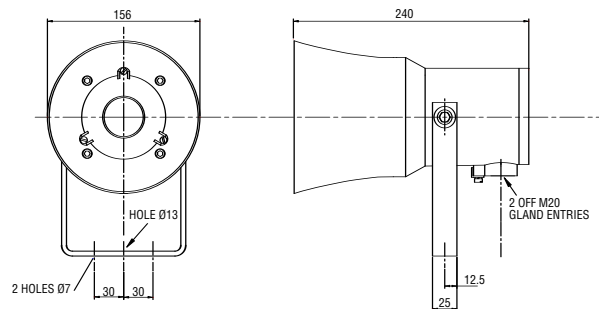
E.G. T1+T3 = Tone 5, T1+T2+T4 = Tone 11.

**Note:** for AC versions the +24V is wired back from the sounder through the control unit.

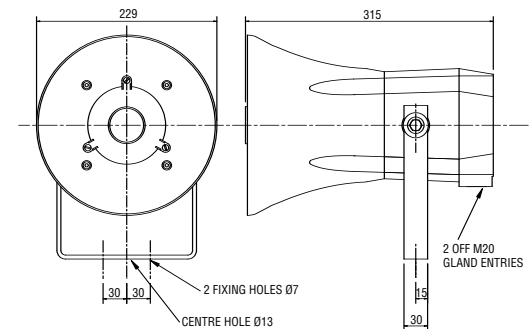
## 8 WATT SHORT HORN



## 15 WATT STANDARD HORN



## 25 WATT STANDARD HORN



Note: All dimensions are in millimeters.

## SOUNDER POWER REQUIREMENTS

Supplied Voltage	Quiescent Current	Max Current
240V AC	50mA	125mA
110V AC	50mA	210mA
24V DC	10mA	950mA

**Note:** the current consumption varies with the power supply voltage and the audio volume and frequency.

**UK - Federal Signal Corporation, Integrated Systems**  
Hulley Road, Macclesfield, Cheshire SK10 2NF, UK  
**tel:** +44 (0)1625 66 66 00 **fax:** +44 (0) 1625 611 352  
**web:** www.fs-isys.com **email:** systems@fedsig.co.uk

**USA - Federal Signal Corporation, Integrated Systems**  
2645 Federal Signal Drive, University Park, IL 60466, USA  
**tel:** +1 708-534-4723 **fax:** +1 708-534-4887  
**web:** www.fs-isys.com **email:** systems@fedsig.com