



SelectFone® Hazardous Location Multi-Party Intercom and Paging System

Models SF-1231X and SF-1235X

FOR USE IN HAZARDOUS LOCATIONS

- Available in 24VDC and 120VAC
- Single and five-channel models
- Paging and intercom functions
- 2-way, multi-party communication
- Handset with noise-canceling microphone and push-to-page button
- Off-Hook LED indicator
- Type 12, IP50 enclosure
- UL and cUL Listed

Federal Signal's SelectFone® Intercom and Paging stations, Models SF-1231X and SF-1235X, are designed for wall mounted installation indoors in hazardous locations.

This intercom is available in single channel (SF-1231X) and five channel (SF-1235X) versions. The SF-1231X and SF-1235X are rated for Class I, Division 2, Groups A, B, C, D; Class II, Division 2, Groups F & G; and Class III environments.

POWER REQUIREMENTS	120VAC	24VDC
Voltage	105-130VAC, 50/60Hz	24VDC
Operating Current	Stand by: 10.0VA Operating: 33.0VA	Stand by: 3-watts Operating: 28-watts

REMOTE SPEAKER AMPLIFIER	
Output	BTL, Push-Pull, Class B, 12.0 watts maximum into 8Ω or 16Ω load
Voltage Gain	31.0dB adjustable
Frequency Response	250Hz-12kHz
Distortion	Less than 1.0% THD at 12.0 watts, 1000Hz
Input Impedance	50K Ω nominal
Output Impedance	8Ω or 16Ω
Control	Speaker Volume Adjustable

HANDSET	
Microphone	10Ω noise canceling dynamic
Receiver	170±30Ω high efficiency dynamic
Cable	6 conductor coil cord, 10.0-ft. extended
Output Level	1.5Vrms nominal into 33Ω load
Voltage Gain	68.0dB adjustable
Frequency Response	250-6500Hz ±1.5dB
Distortion	1.0% THD max at 1000Hz
Input Impedance	100Ω
Control	Microphone gain, receiver volume adjustable

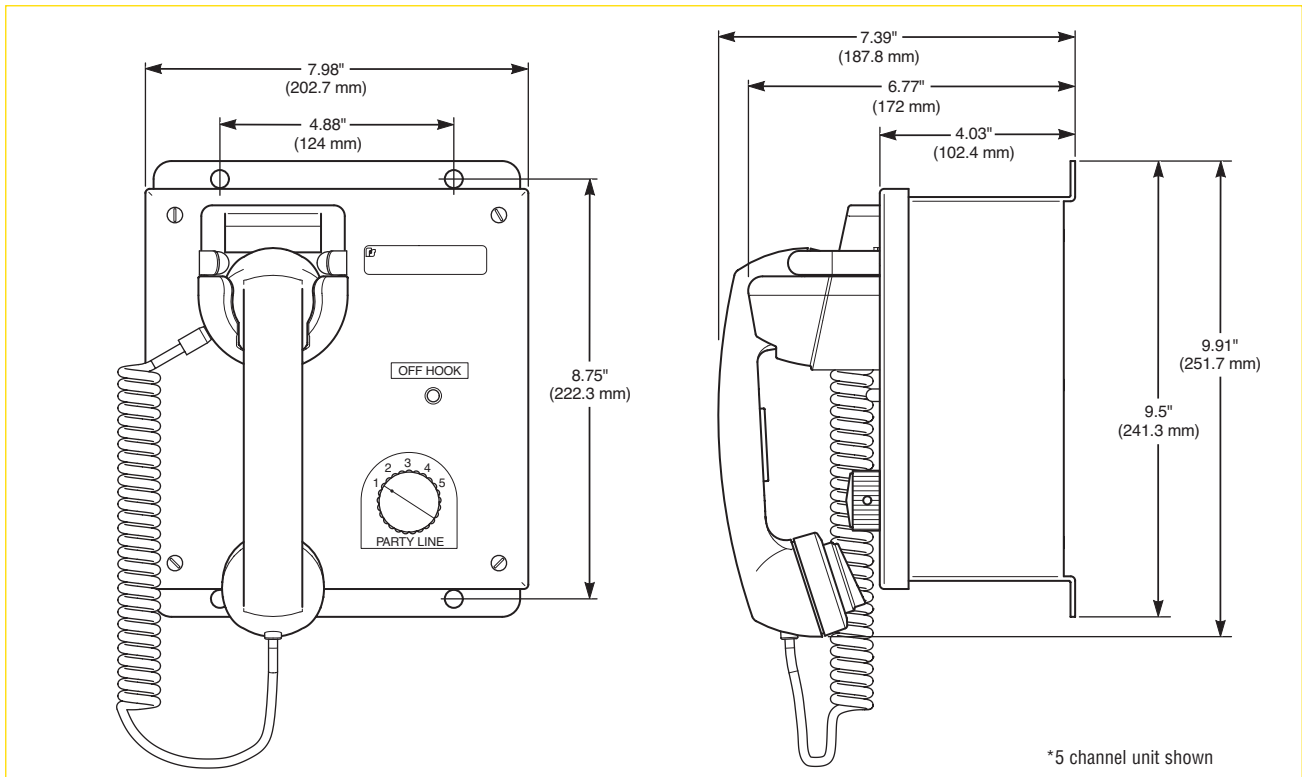
DIMENSIONS	
Intercom	9.5" H x 7.98" W x 7.39" D (241.3 mm H x 202.7 mm W x 187.8 mm D)

WEIGHT		
Shipping Weight	18.0 lbs (8.16 kg)	18.5 lbs. (8.39 kg)

TEMPERATURE	
	-58°F to 150°F (-50°C to 66°C)



MULTI-PARTY INTERCOM/PAGING SYSTEM (SF-1231X/SF-1235X*)



HOW TO ORDER

- Specify model number and voltage
- Line Balance Unit and Loudspeakers sold separately
- Please refer to Model Number Index SF-1231X/SF-1235X beginning on page 380

REPLACEMENT PARTS

<i>Description</i>	<i>Model Number</i>	<i>Description</i>	<i>Model Number</i>
Power Supply Module – 120VAC	K2001883B	Power Supply Module – 24VDC	K2001883B-01
Speaker/Amplifier Module – 120VAC	K2001882C	Speaker/Amplifier Module – 24VDC	K2001897B
Handset Pre-amp PCBA	K2001881B-02	Handset Receiver Element	K8592034A
Main PCBA – 120VAC	K2001884A	Main PCBA – 24VDC	K2001884A-01
Handset Dynamic Mic	K137147A	Receiver Cap, Black	K8592036A
Microphone Cap, Black	K8592037A	Push-to-Page Button	K8592038A
Cradle, Black	K8592029A	Handset Assembly, Black, Desktop	K8592082A
Handset Assembly, Black	K8592033A		